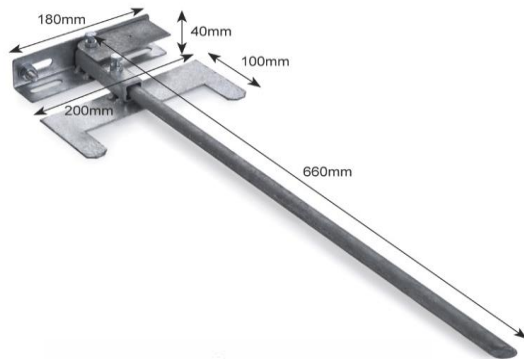


Model KRP13

Ground Spike



Features & Benefits

Enables floodlight to be fitted discreetly in borders/beneath trees for uplighting

Safety Information

IMPORTANT - Before undertaking fitting
- Bracket should be fitted with fixings provided

PRODUCT SPECIFICATION

Application

Suitable for use with 1 x medium/large LED Floodlight
Max Loading Weight 5kg

General Information

Finish Galvanised
Dimensions Spike 660mm
Mounting Ground Spike
Fixings Provided Yes
Warranty Period 3 Years

Construction

Body Material Low Carbon Steel
Weight 1.85kg

K R Electrical/Products Ltd

Units 27-28 Old Station Yard Business Centre, Meadow Way, Bourton on the Water, Cheltenham, Glos, GL54 2RZ.

Telephone 01451 822320 | Fax 01451 820740 | Email info@krproducts.co.uk | Website www.krproducts.co.uk